

Installation Guide

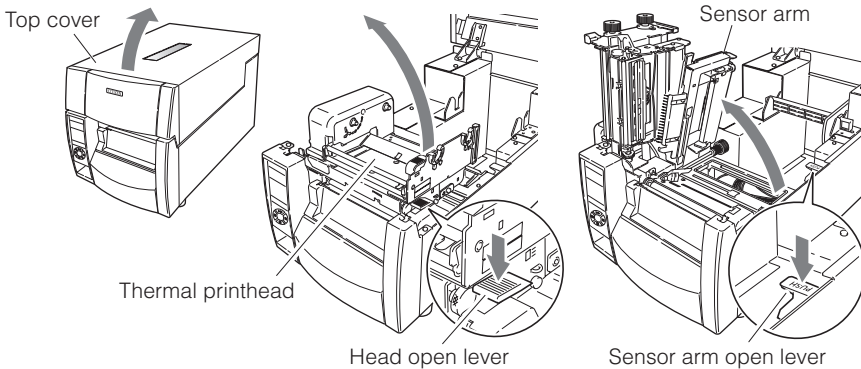
7010 Peeler Unit

Caution

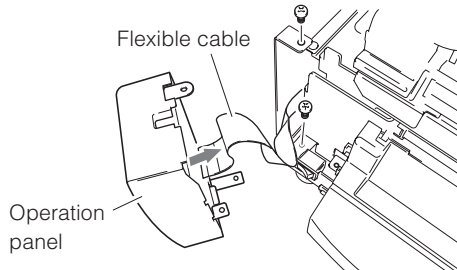
This guide is provided for use by service representatives who must install the peeler unit. If the peeler is not installed, please contact your supplier.

Note Installation requires a cross-point ('Phillips') screwdriver with magnetic tip and a shaft at least 200 mm (8 inches) long.

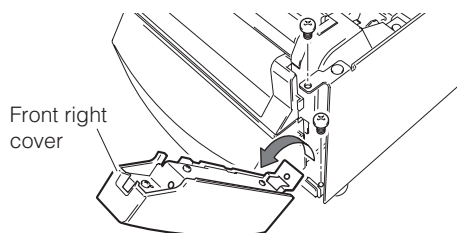
- (1) Check to make sure that the printer's power switch is turned off then disconnect the power cord.
- (2) Open the top cover and lift the thermal printhead and sensor arm.



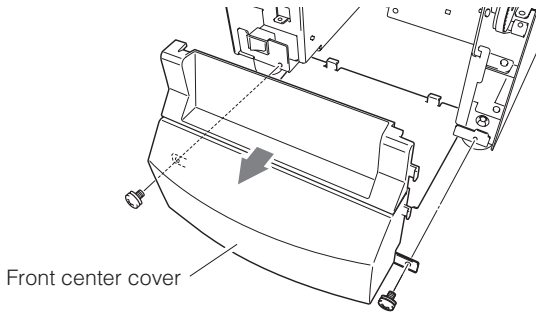
- (3) Remove the operation panel on the front of the printer (2 screws).
When doing this, remove the flexible cable that is connected to the operation panel.



- (4) Remove the front right cover on the front of the printer. (2 screws)



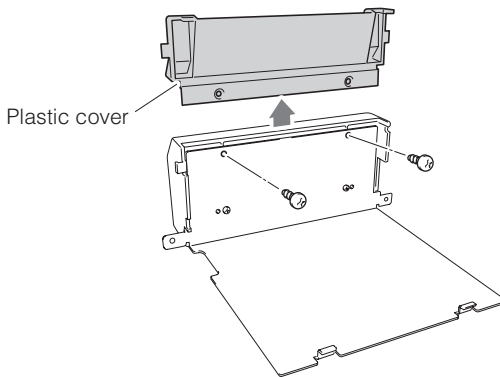
- (5) Remove the front center cover. (2 screws)



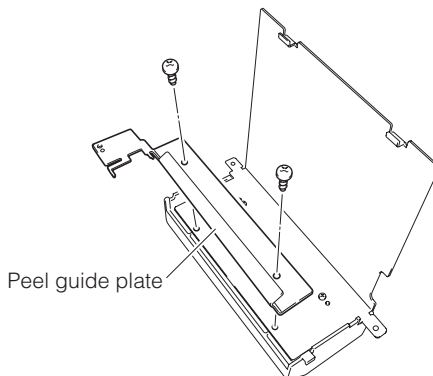
- (6) Remove the plastic cover from the front center cover that you have removed.
(2 screws)

Note

The plastic cover that you have removed is needed if the peeler unit is de-installed, so store it carefully.



- (7) Attach the peel guide plate to the front center cover taking care not to over-tighten the screws as they are threaded in plastic. (2 screws)



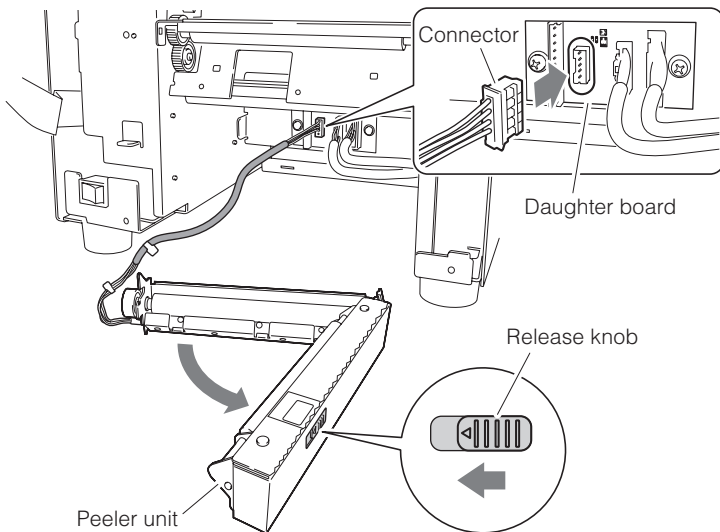
- (8) Attach the connector of the peeler unit to the daughter board as shown in the figure.

Note

The connector cannot be connected if it is inserted in the wrong orientation unless force is used!

Check the orientation of the connector carefully.

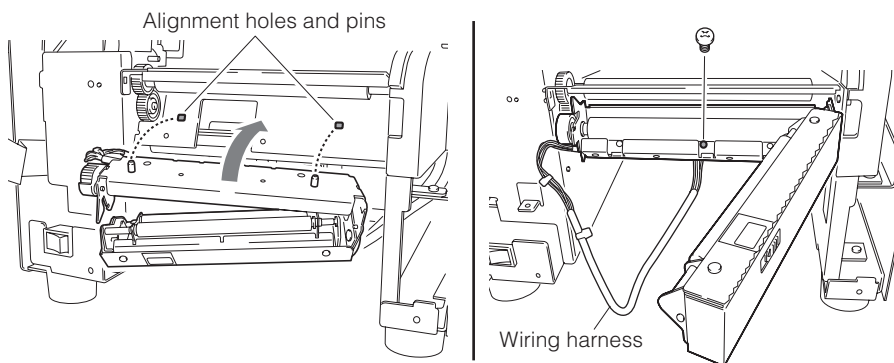
- (9) Slide the release knob of the peeler unit to the left and open the peeler unit.



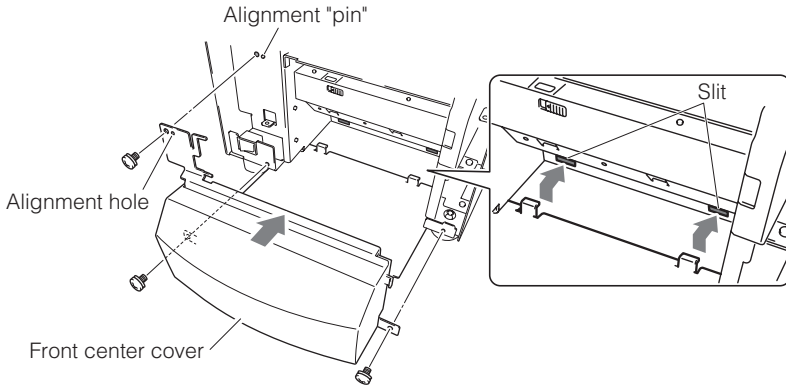
- (10) After positioning the peeler unit on the printer using the alignment pins on the peeler as a guide, fix the unit to the printer using the screw supplied. Then close the peeler.

Note

Be careful not to pinch the wiring harness from the peeler unit.



- (11) Align the two tabs on the bottom of the 'front center cover' to the slits of the printer as it is slid in to the printer. The bottom plate of the front cover needs to be held up from below to ensure a good fit. Attach the front center cover from step 5 in its original position. (3 screws, of which 1 is an accessory to the unit)



- (12) Attach the front right cover removed at step 4 in its original position. (2 screws)
(13) Attach the operation panel removed at step 3 in its original position. (3 screws)

Note

Be sure to connect the flexible cable that you disconnected as it was formerly connected. The blue side of the tip is upwards.

- (14) Close the top cover.
(15) Connect the power cord and turn on the power switch on the printer.

Note

Removing the peeler unit

To remove the peeler unit from the printer, follow the installation steps in reverse order. If the screws that fasten the peeler unit are removed, the unit may fall from the printer, so hold the peeler unit with your hand while loosening the fastening screws.