

DP-230L

Tally
DASCOM

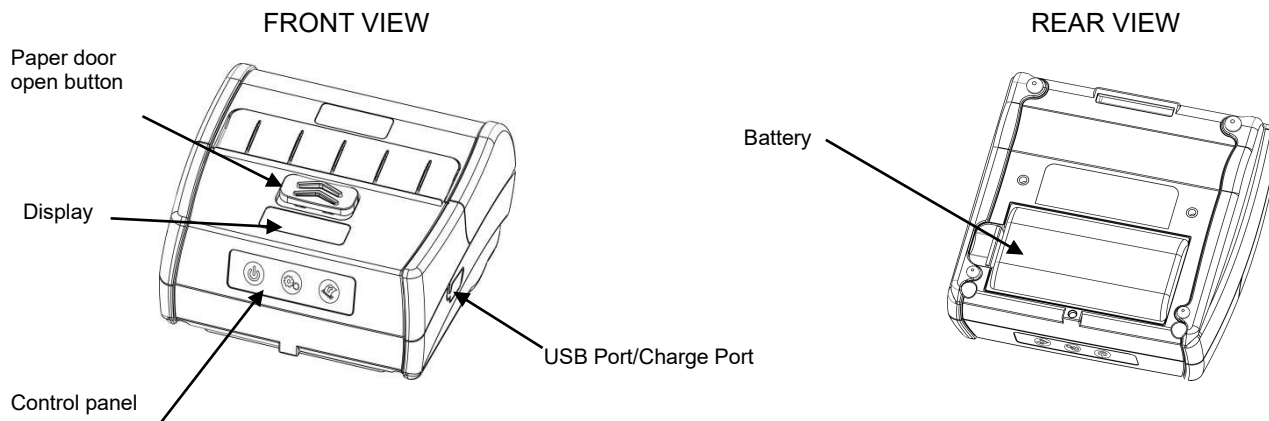
Quick Start Guide

This guide provides information on the daily use of the DP-230L printer.
For additional information, please refer to the DP-230L User Guide.

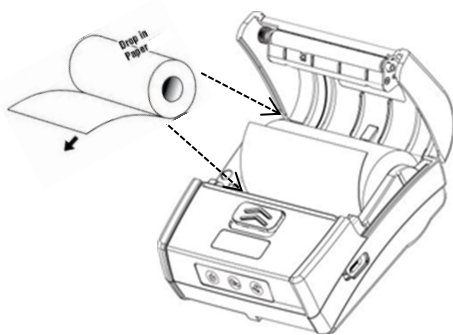
Before you begin, please visit <https://www.dascom.com/downloads.html>
Printing Solutions; Download Centre, to download the according printer driver.



Printer features



Media

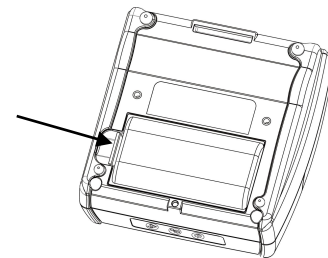


Slide paper door release button in direction of arrows to open the paper compartment door. Pull small leader of paper out and close paper door. "Clicks" when properly closed.
The DP-230L is equipped to process receipt and label media!

Battery

To remove battery for replacement, depress battery door clip and pull out battery.

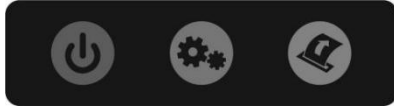
Battery levels on OLED display:
Empty <5%
Level 1 15-40%
Level 2 40-70%
Level 3 70-100%





Battery Disposal

Please dispose the batteries separately and free of cost at your sales agency or the designated local collecting points. Therefore please consider the national recycling standards! Disassembly and removal of the batteries are described in the User Guide.

Control Panel indicators



	Function:	How to:
Power Button 	Power up Power down	Press & Release Press & Hold
Paper feed button 	Advance paper Print setup report	Press Press and hold for 3 seconds

OLED Display

Status	Display	Buzzer
Buffer has data.	Working	N/A
Buffer is empty.	Print Ready	N/A
Cover opens	Head Up	Buzz/2s
Paper run out	Paper Out	Buzz/2s
Abnormal label positioning	Calibrate Error	N/A
No label gap detected	Out Tear Error	N/A
Print head overheats	Head Hot	N/A
Energy saving mode	Zzz...	N/A
FW download mode	Upgrade mode	N/A
FW is being downloaded	Fw Upgrade...	N/A
Finish the FW downloading	Upgrade OK	Buzz once
Battery is low	BAT Low	N/A

Self-Test / Configuration printout



With the power on, press and hold the PAPER FEED button for 3 seconds.

Printer Configuration

The Dascom Configuration Tool is a Windows based software program that can be downloaded from our web site. This program can be used to configure the printer's settings. You can also use the display and Settings, Power and Paper Feed buttons to configure the printer.

To access the Control Panel Menu:

Push the Printer Settings button to enter the Configuration Menu.

Push the paper Feed button to select the menu section.

Push the Printer Settings button to enter the section.

Push the Printer Settings button to select parameter under the menu section.

Push the Paper Feed button to change the setting.

Push the Power button to go back one menu selection.

Menu Parameters:

System Setup – Print Speed, Energy Mode, Print Density, Emulation, Recharge mode, Code Page

Paper Setup – Print Type, Top, Left Margin

Device Config – Sensor Type

Bluetooth Setup – BT Name, PIN Code



Dascom Representatives

Americas	Dascom Americas LLC	34 Lakeview Court	Verona, VA 24482, USA	Phone: +1 (877) 434 1377
UK	DASCOM GB Ltd	Hart House, Priestley Road	Basingstoke, Hampshire, RG24 9PU	Phone: +44 (0) 1256 355130
Germany	DASCOM Europe GmbH	Heuweg 3	D-89079 Ulm	Phone: +49 (0) 731 2075 0
France	DASCOM Europe GmbH	117 Avenue Victor Hugo	92100 Boulogne-Billancourt	Phone: +33 (1)73 02 51 98
Singapore (AP)	DASCOM AP Pte Ltd	2 Jurong East Street 21	#05-42, IMM Building, Singapore 609601	Phone: +65 6760 8833